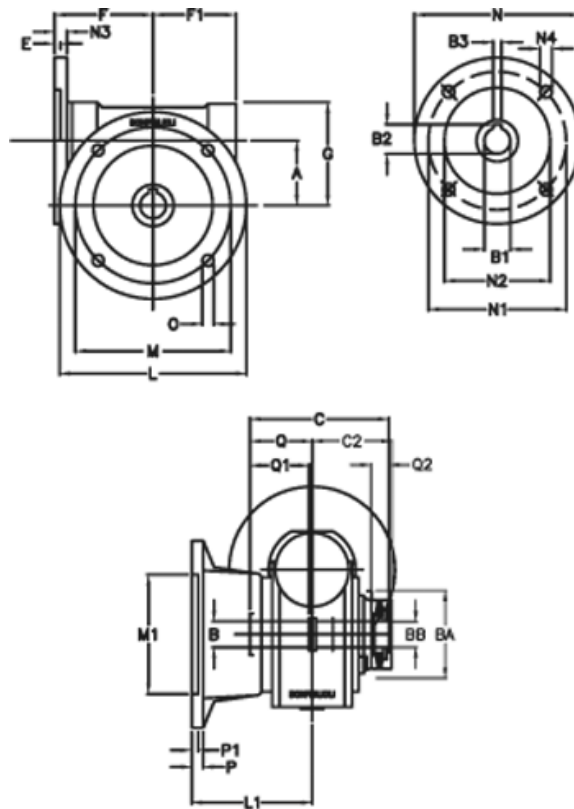


Article number: 390204901842736

Description: Worm Gear with Torque Limiter  
VF 49-L2-F-18 P71B5

## Measures



|            |                              |           |          |
|------------|------------------------------|-----------|----------|
| a = 49.50  | C2 = 63,5                    | m = 90    | P = 12   |
| B = 25     | Description = VF 49F-xx-71B5 | M1 = 70   | P1 = 10  |
| B1 E7 = 14 | E = 3.0                      | N = 160   | Q = 51.0 |
| B2 = 16.3  | F = 70                       | N1 = 130  | Q1 = 41  |
| B3 H9 = 5  | F1 = 63                      | N2 = 110  | Q2 = 15  |
| BA = 63    | g = 80                       | N3 = 10.5 |          |
| BB H7 = 14 | L = 125                      | N4 = 9.5  |          |
| C = 105    | L1 = 85.5                    | O = 10.5  |          |